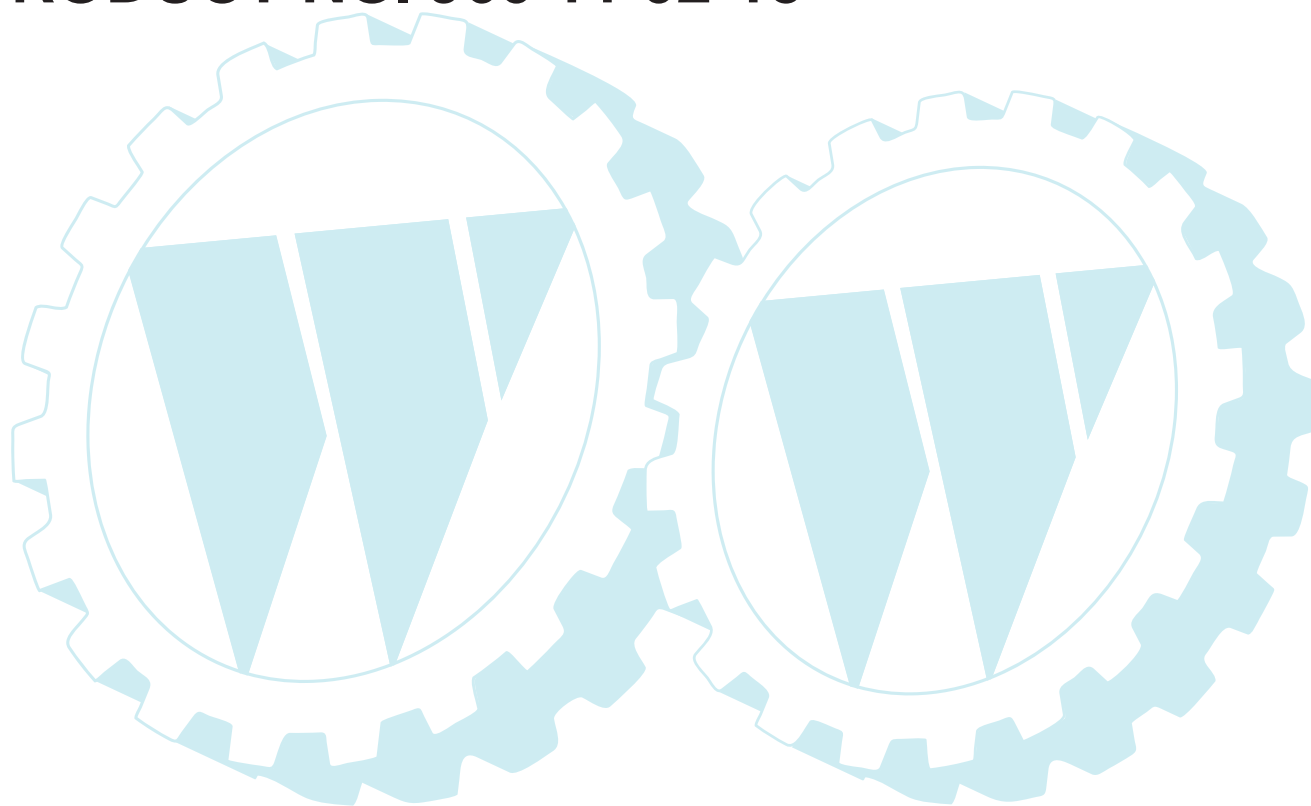


# ILLUSTRATED PARTS LIST

**MODEL NO. 96011021500**

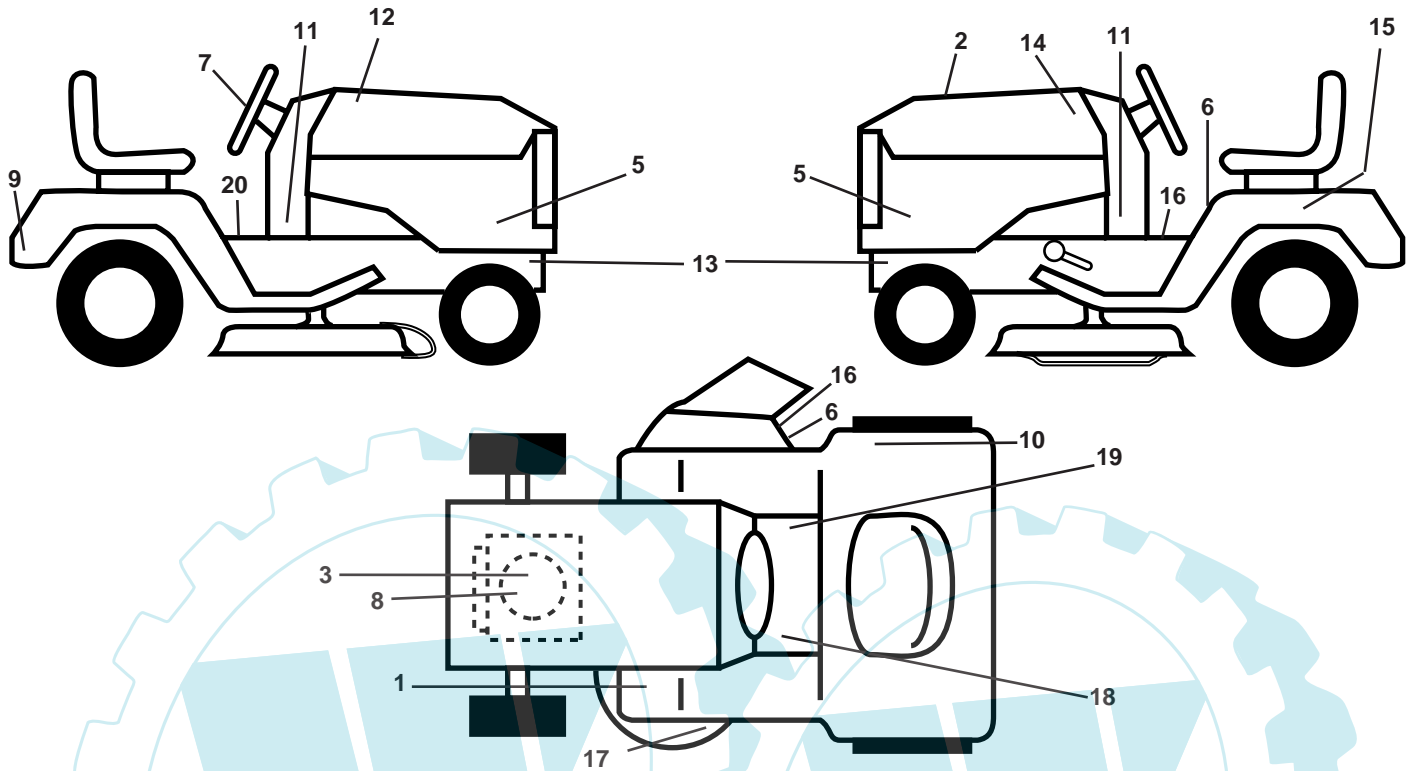
**CUSTOMER CATALOG NO. PP1638**

**PRODUCT NO. 960 11 02-15**



# REPAIR PARTS

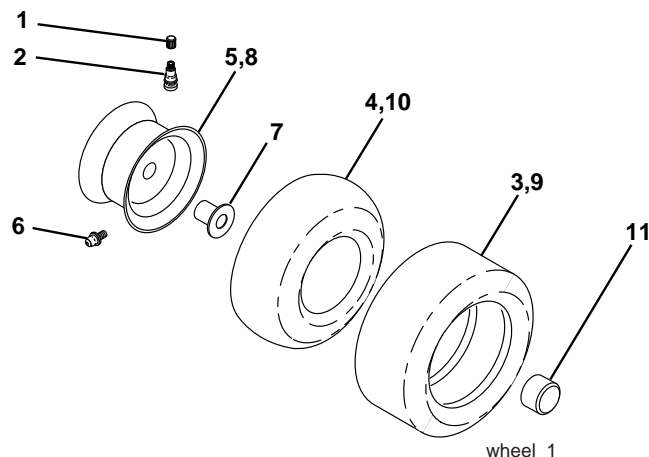
TRACTOR -- MODEL NUMBER PP1638 (96011021500). PRODUCT NO. 960 11 02-15  
DECALS



KEY NO.	PART NO.	DESCRIPTION
3	532 18 96-83	Decal, Engine HP
5	532 40 36-13	Decal, Hood
6	532 19 63-57	Decal, Deflector Warning
7	532 17 27-43	Decal, Ins Str Wh
8	532 19 68-41	Decal, Engine Warning Sym
9	532 17 27-40	Decal, Fender
10	532 16 88-69	Decal, Tick Mark
11	532 40 35-37	Decal, Lower Dash
12	532 18 61-63	Decal, Hood RH
13	532 15 97-36	Decal, Chassis Hot Muffler
14	532 18 61-64	Decal, Hood LH

KEY NO.	PART NO.	DESCRIPTION
15	532 14 50-05	Decal, Caution, Battery
16	532 18 21-66	Decal, Cuffinger
17	532 19 43-02	Decal, V-Belt Sch.
18	532 15 97-37	Decal, Brake/Clutch Sym.
19	532 14 08-37	Decal, Saddle Brake Parking
20	532 40 03-89	Decal, Warning Sym.
--	532 13 83-11	Decal, Handle Lift Height Adj.
--	532 16 25-98	Decal, Drawbar Load Limit
--	532 18 10-90	Pad Footrest RH
--	532 18 10-91	Pad Footrest LH
--	532 40 36-25	Manual, Operator's
--	532 40 36-26	Manual, Parts

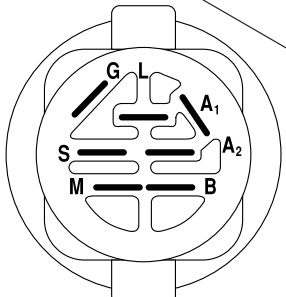
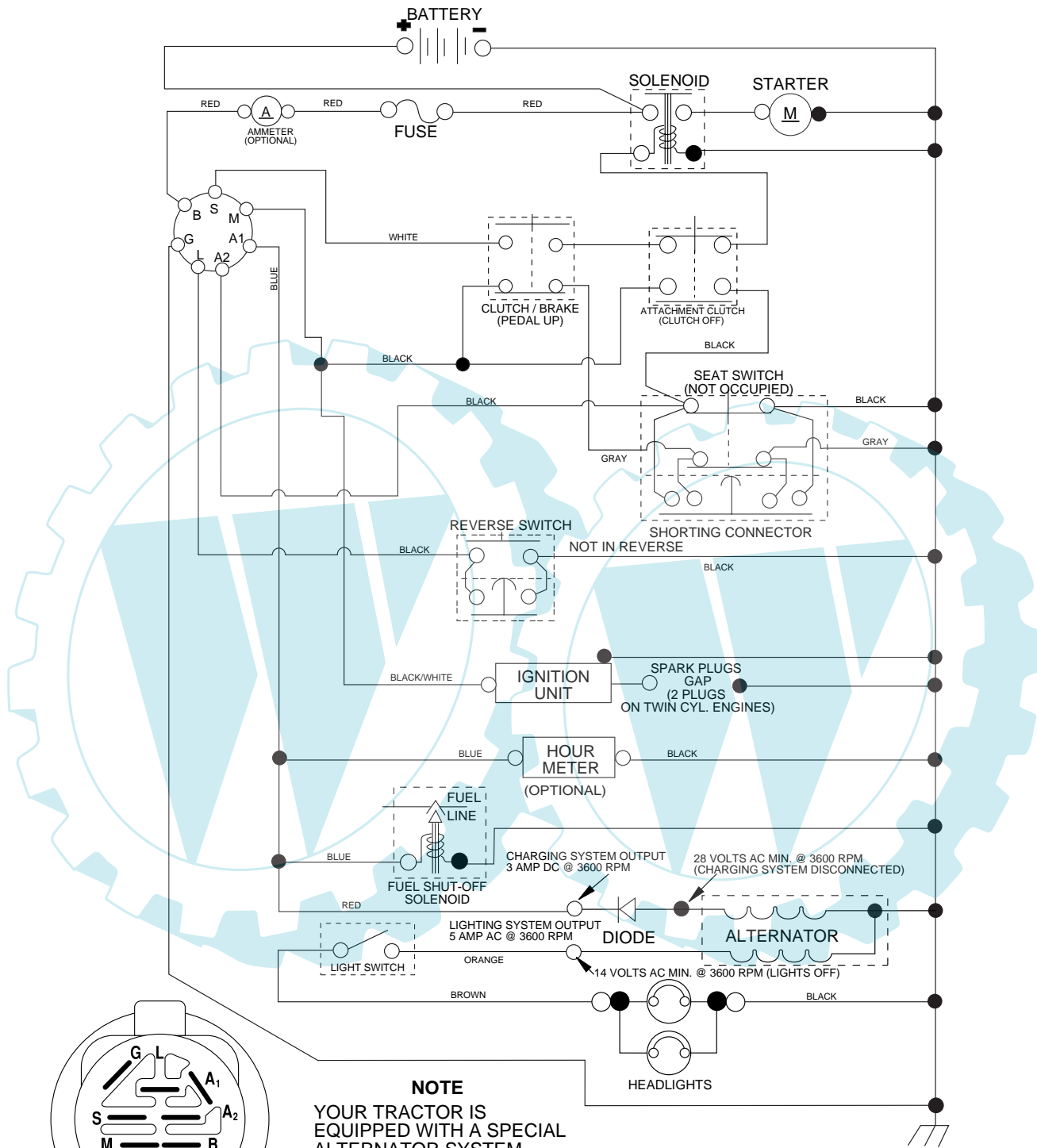
## WHEELS & TIRES



KEY NO.	PART NO.	DESCRIPTION
1	532 05 91-92	Cap, Tire valve
2	532 06 51-39	Stem, Valve
3	532 10 62-22	Tire, Front
4	532 05 99-04	Tube, Front (Service item only)
5	532 12 51-21	Rim assembly, 6" front
6	532 00 02-78	Fitting, Grease (Front wheel only)
7	532 12 49-59	Bearing, Flange (Front wheel only)
8	532 12 51-22	Rim assembly, 8" rear
9	532 10 62-68	Tire, Rear
10	532 12 49-26	Tube, Rear (Service item only)
11	532 19 32-68	Cap, Hub Axle
--	532 14 43-34	Sealant, Tire (10 oz. Tube)

**NOTE:** All component dimensions given in U.S. inches  
1 inch = 25.4 mm

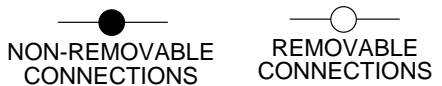
**TRACTOR -- MODEL NUMBER PP1638 (96011021500). PRODUCT NO. 960 11 02-15  
SCHEMATIC**



**IGNITION SWITCH**

POSITION	CIRCUIT "MAKE"
OFF	M+G+A1
RUN/OVERRIDE	B+A1
RUN	B+A1 L+A2
START	B + S + A1

**NOTE**  
YOUR TRACTOR IS EQUIPPED WITH A SPECIAL ALTERNATOR SYSTEM. THE LIGHTS ARE NOT CONNECTED TO THE BATTERY, BUT HAVE THEIR OWN ELECTRICAL SOURCE. BECAUSE OF THIS, THE BRIGHTNESS OF THE LIGHTS WILL CHANGE WITH ENGINE SPEED. AT IDLE THE LIGHTS WILL DIM. AS THE ENGINE IS SPEEDED UP, THE LIGHTS WILL BECOME THEIR BRIGHTEST.

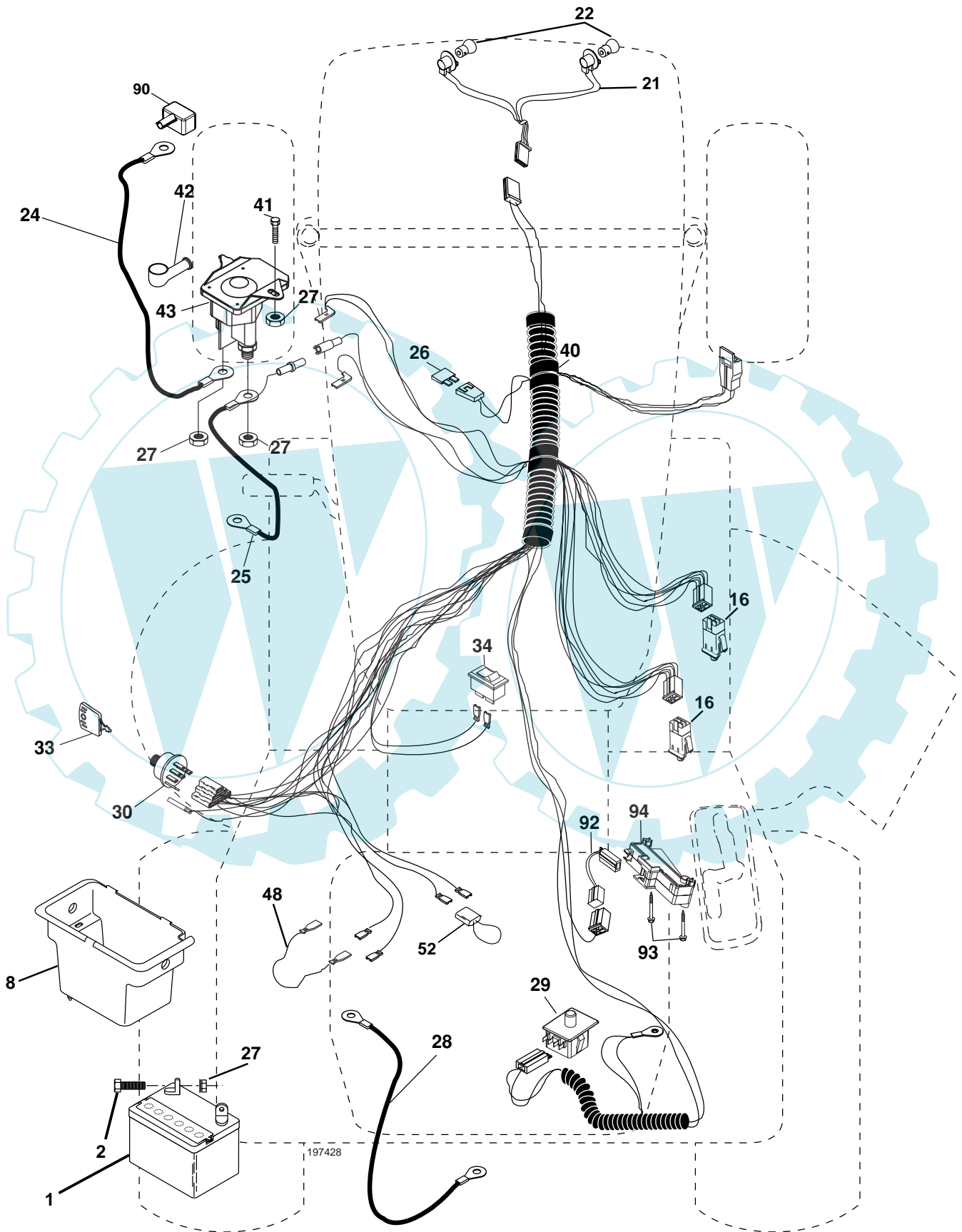


**WIRING INSULATED CLIPS**  
**NOTE:** IF WIRING INSULATED CLIPS WERE REMOVED FOR SERVICING OF UNIT, THEY SHOULD BE REPLACED TO PROPERLY SECURE YOUR WIRING.

02836

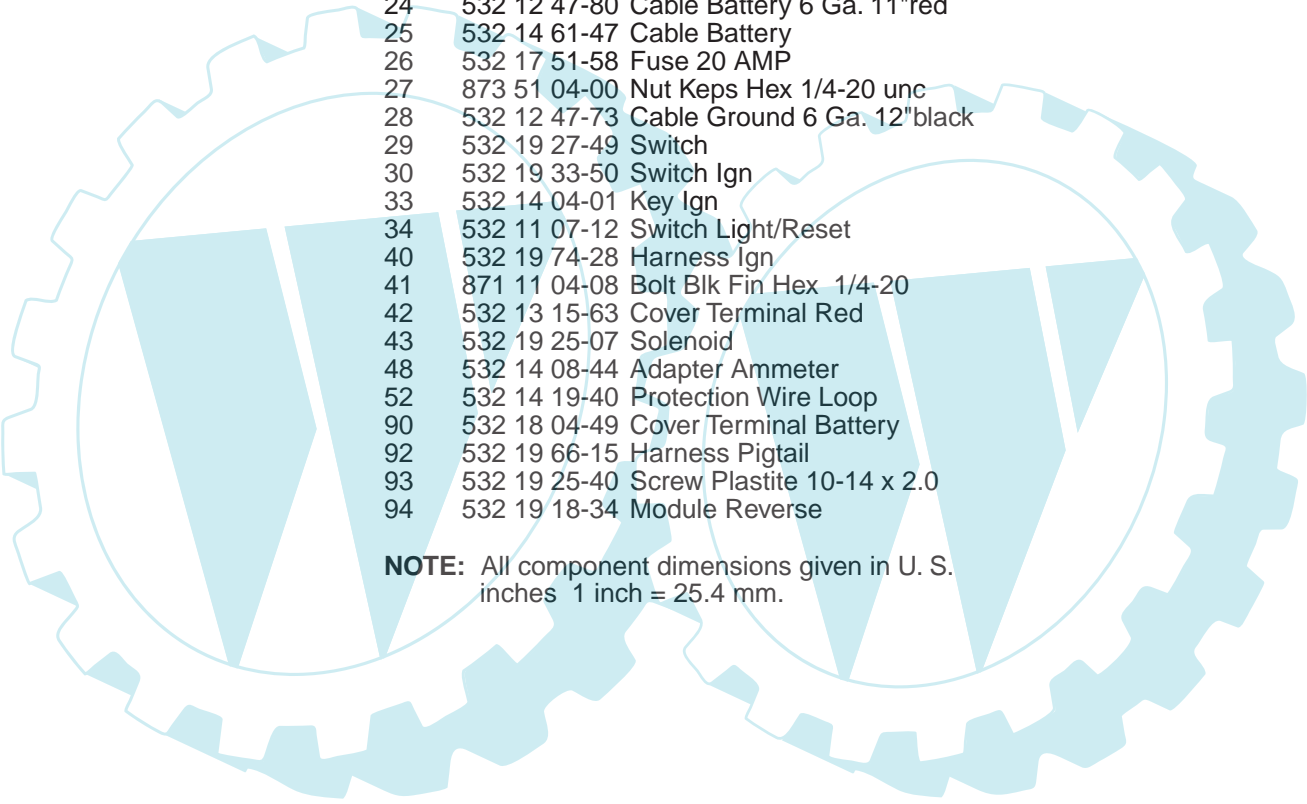
# REPAIR PARTS

TRACTOR -- MODEL NUMBER PP1638 (96011021500). PRODUCT NO. 960 11 02-15  
ELECTRICAL



## REPAIR PARTS

TRACTOR - - MODEL NUMBER PP1638 (96011021500). PRODUCT NO. 960 11 02-15  
ELECTRICAL

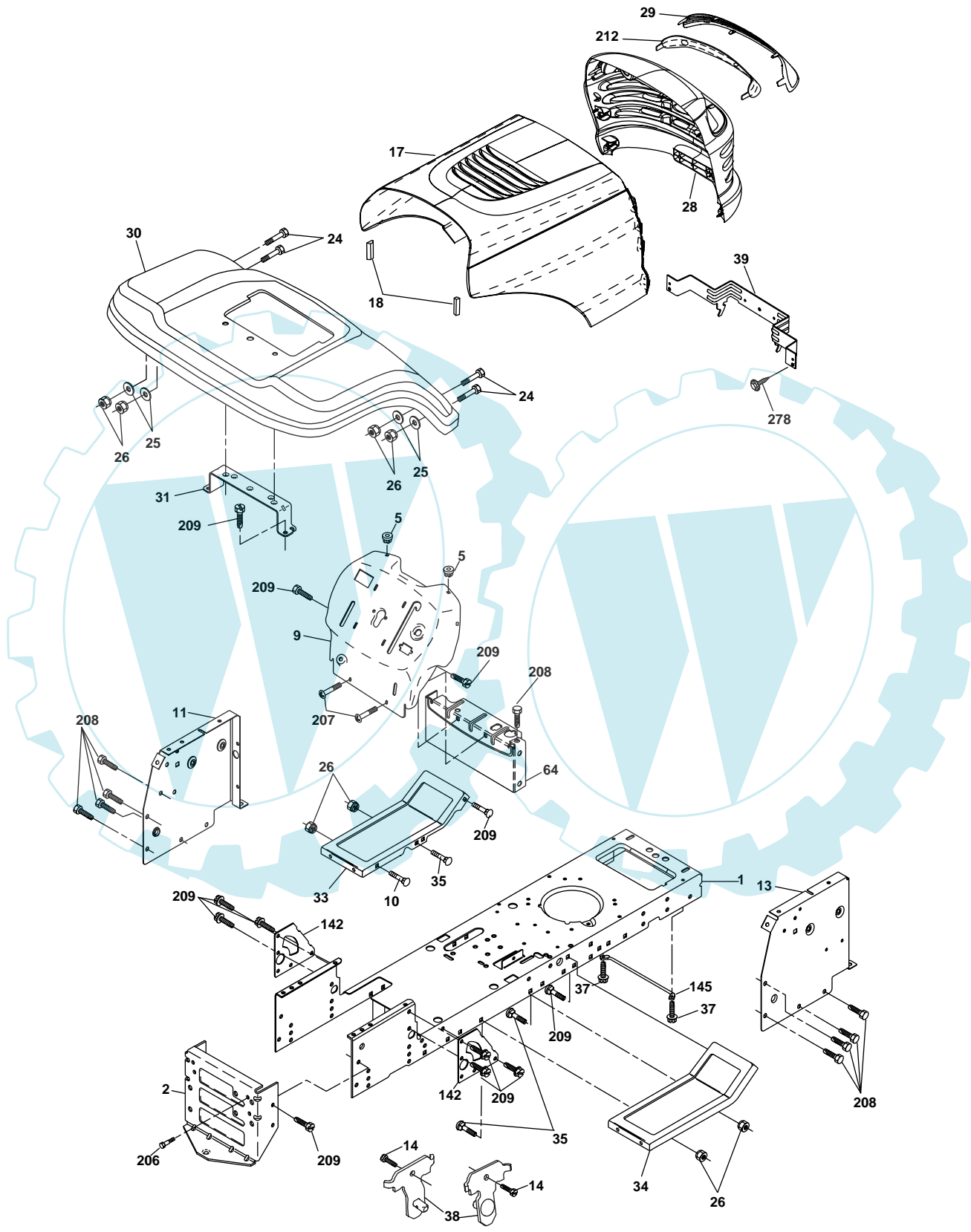


KEY NO.	PART NO.	DESCRIPTION
1	532 16 34-65	Battery
2	874 76 04-12	Bolt Hex Hd 1/4-20 unc x 3/4
8	532 17 66-89	Box Battery
16	532 17 61-38	Switch Interlock
21	532 18 37-59	Harness Asm Light W/4152j
22	532 00 41-52	Bulb Light #1156
24	532 12 47-80	Cable Battery 6 Ga. 11"red
25	532 14 61-47	Cable Battery
26	532 17 51-58	Fuse 20 AMP
27	873 51 04-00	Nut Keps Hex 1/4-20 unc
28	532 12 47-73	Cable Ground 6 Ga. 12"black
29	532 19 27-49	Switch
30	532 19 33-50	Switch Ign
33	532 14 04-01	Key Ign
34	532 11 07-12	Switch Light/Reset
40	532 19 74-28	Harness Ign
41	871 11 04-08	Bolt Blk Fin Hex 1/4-20
42	532 13 15-63	Cover Terminal Red
43	532 19 25-07	Solenoid
48	532 14 08-44	Adapter Ammeter
52	532 14 19-40	Protection Wire Loop
90	532 18 04-49	Cover Terminal Battery
92	532 19 66-15	Harness Pigtail
93	532 19 25-40	Screw Plastite 10-14 x 2.0
94	532 19 18-34	Module Reverse

**NOTE:** All component dimensions given in U. S. inches 1 inch = 25.4 mm.

# REPAIR PARTS

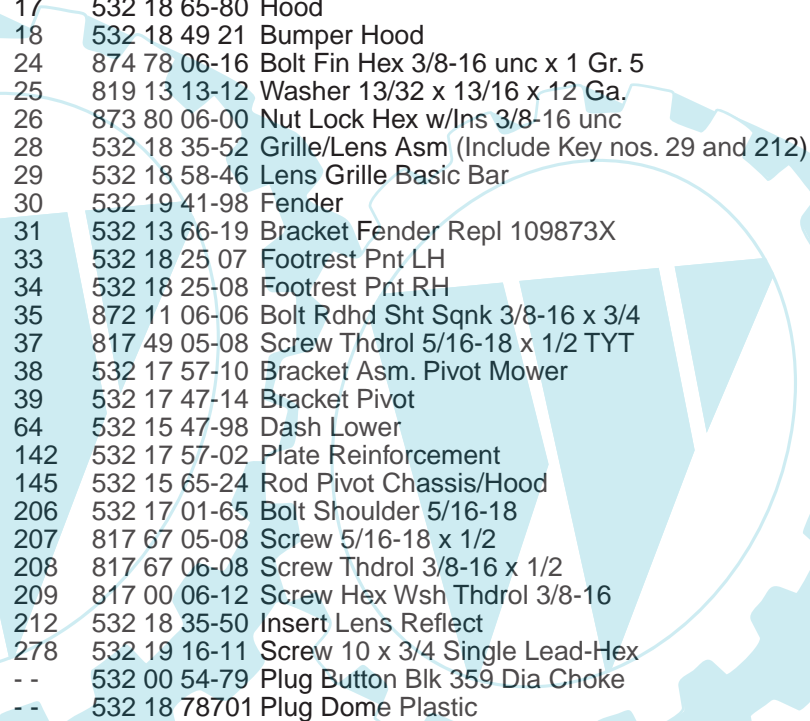
TRACTOR -- MODEL NUMBER PP1638 (96011021500). PRODUCT NO. 960 11 02-15  
CHASSIS



chassis\_elite value\_stlt\_2

## REPAIR PARTS

TRACTOR -- MODEL NUMBER PP1638 (96011021500). PRODUCT NO. 960 11 02-15  
CHASSIS

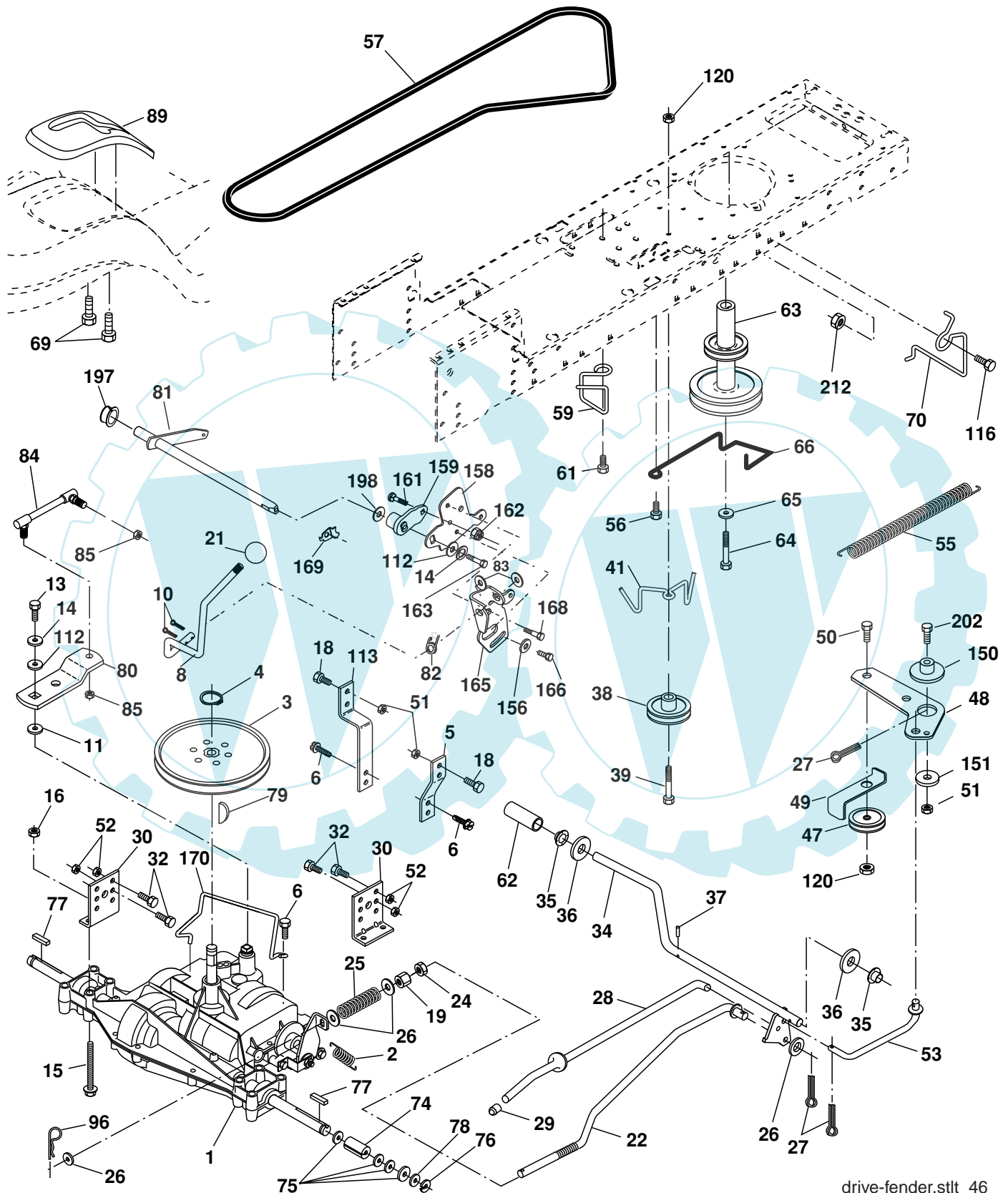


KEY NO.	PART NO.	DESCRIPTION
1	532 17 46-19	Chassis
2	532 17 65-54	Drawbar, Stretch
5	532 15 52-72	Bumper, Hood/Dash
9	532 19 41-97	Dash
10	872 14 06-08	Bolt, Carriage 3/8-16 x 1
11	532 17 49-96	Panel Dash LH
13	532 18 65-92	Panel Silscr Dash RH
14	817 49 06-08	Screw Thdrol 3/8-16 x 1/2
17	532 18 65-80	Hood
18	532 18 49 21	Bumper Hood
24	874 78 06-16	Bolt Fin Hex 3/8-16 unc x 1 Gr. 5
25	819 13 13-12	Washer 13/32 x 13/16 x 12 Ga.
26	873 80 06-00	Nut Lock Hex w/Ins 3/8-16 unc
28	532 18 35-52	Grille/Lens Asm (Include Key nos. 29 and 212)
29	532 18 58-46	Lens Grille Basic Bar
30	532 19 41-98	Fender
31	532 13 66-19	Bracket Fender Repl 109873X
33	532 18 25 07	Footrest Pnt LH
34	532 18 25-08	Footrest Pnt RH
35	872 11 06-06	Bolt Rdhd Sht Sqnk 3/8-16 x 3/4
37	817 49 05-08	Screw Thdrol 5/16-18 x 1/2 TYT
38	532 17 57-10	Bracket Asm. Pivot Mower
39	532 17 47-14	Bracket Pivot
64	532 15 47-98	Dash Lower
142	532 17 57-02	Plate Reinforcement
145	532 15 65-24	Rod Pivot Chassis/Hood
206	532 17 01-65	Bolt Shoulder 5/16-18
207	817 67 05-08	Screw 5/16-18 x 1/2
208	817 67 06-08	Screw Thdrol 3/8-16 x 1/2
209	817 00 06-12	Screw Hex Wsh Thdrol 3/8-16
212	532 18 35-50	Insert Lens Reflect
278	532 19 16-11	Screw 10 x 3/4 Single Lead-Hex
--	532 00 54-79	Plug Button Blk 359 Dia Choke
--	532 18 78701	Plug Dome Plastic

**NOTE:** All component dimensions given in U.S. inches  
1 inch = 25.4 mm.

# REPAIR PARTS

TRACTOR -- MODEL NUMBER PP1638 (96011021500). PRODUCT NO. 960 11 02-15  
DRIVE



drive-fender.stlt\_46



# REPAIR PARTS

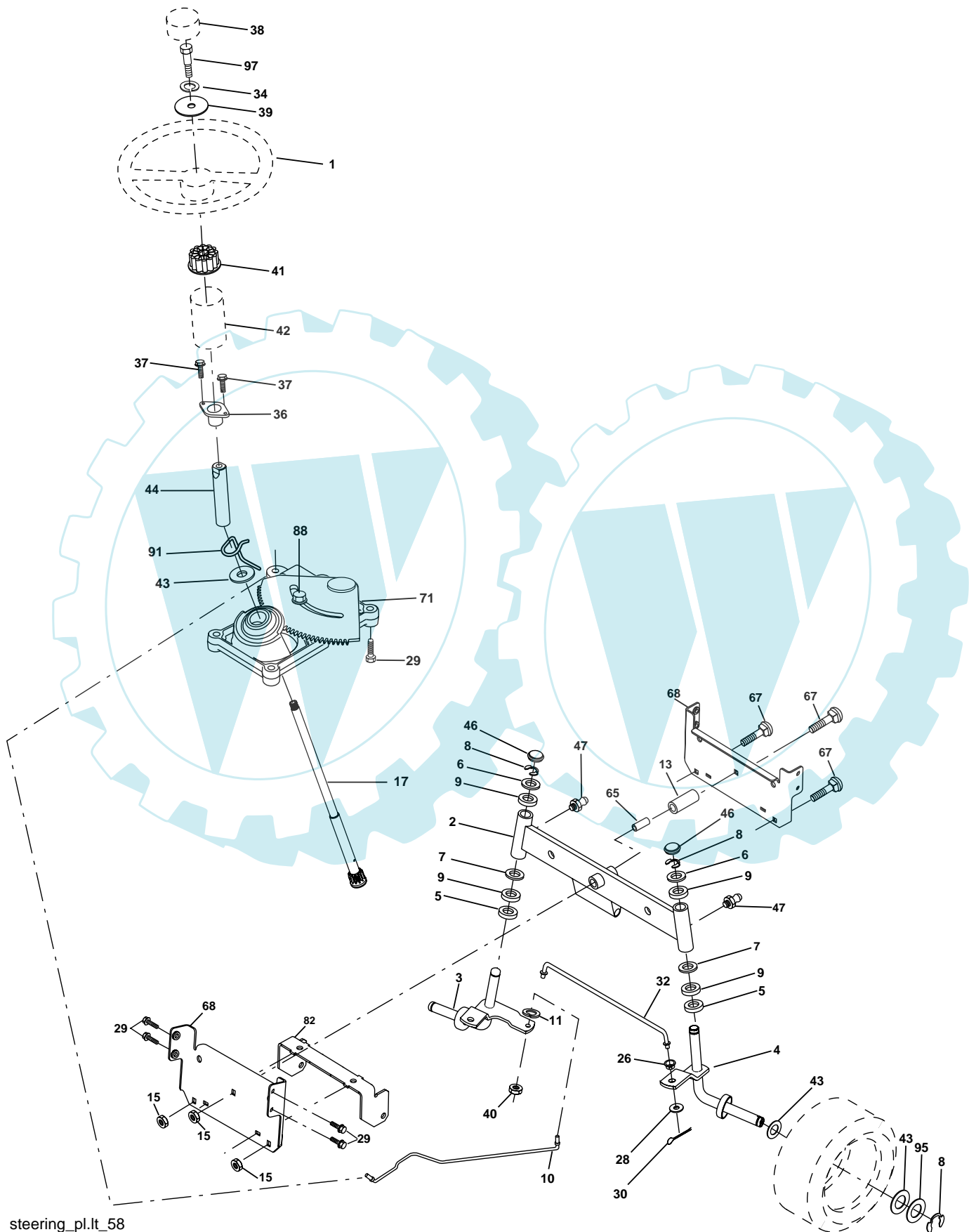
**TRACTOR -- MODEL NUMBER PP1638 (96011021500). PRODUCT NO. 960 11 02-15 DRIVE**

KEY NO.	PART NO.	DESCRIPTION	KEY NO.	PART NO.	DESCRIPTION
1	-----	Transaxle Dana D4360-140 (Order parts from transaxle manufacturer)	62	532 12 48-72	Cover Pedal Blk Round
2	532 14 66-82	Spring Return Brake T/a Zinc	63	532 17 54-10	Engine Pulley
3	532 12 36-66	Pulley Transaxle 18" tires	64	532 17 39-37	Bolt Hex
4	812 00 00-28	Ring Retainer # 5100-62	65	810 04 07-00	Washer Lock Hvy Hlcl Spr 7/16
5	532 12 15-20	Strap Torque 30 Degrees	66	532 15 47-78	Keeper Belt Engine Foolproof
6	817 00 05-12	Screw 5/16-18 x 3/4	69	532 14 24-32	Screw Hex wsh HiLo 1/4 x 1/2 unc
8	532 19 27-06	Rod Shift Fender Adjust Lt	70	532 13 46-83	Guide Belt Mower Drive RH
10	876 02 04-16	Pin Cotter 1/8 x 1 Cad	74	532 10 95-02	Spacer Axle
11	532 10 57-01	Washer Plate Shf 388 Sq Hole	75	532 12 17-49	Washer 25/32 x 1 1/4 x 16 Ga.
13	874 55 04-12	Bolt 1/4-28 unF Gr. 8 W/Patch	76	812 00 00-01	E-ring #5133-75
14	810 04 04-00	Washer Lock Hvy Helical	77	532 12 35-83	Key Square 2 0 x 1845/ 1865
15	874 49 05-44	Bolt Hex FLGHD 5/16-18 Gr. 5	78	532 12 17-48	Washer 25/32 x 1-5/8 x 16 Ga.
16	873 80 05-00	Nut Lock Hex w/ins 5/16-18	79	532 12 50-96	Key Woodruff #9 3/16 x 3/4
18	874 78 06-16	Bolt, Fin Hex 3/8-16 unc x 1 Gr. 5	80	532 13 14-88	Arm Shift
19	873 80 06-00	Nut Lock 3/8-16 unc	81	532 16 55-94	Shaft Asm Cross Tapered PMST/20
21	532 10 62-79	Knob	82	532 16 57-11	Spring Torsion T/a
22	532 13 08-04	Rod Brake Blk Zinc 26 840	83	819 17 12-16	Washer 17/32 x 3/4 x 16 Ga.
24	873 35 06-00	Nut Hex Jam 3/8-16 unc	84	532 16 62-29	Link Transaxle
25	532 10 68-88	Spring Rod Brake 2 00 Zinc	85	532 15 03-60	Nut Lock Center 1/4 - 28 FNTHD
26	819 13 13-16	Washer 13/32 x 13/16 x 16 Ga.	89	532 19 49-71	Console Shift STLT
27	876 02 04-12	Pin Cotter 1/8 x 3/4 Cad	96	532 12 47-88	Retainer Spring 1"
28	532 17 57-65	Rod Brake Parking LT/YT	112	819 09 12-10	Washer 9/32 x 3/4 x 10 Ga.
29	532 07 16-73	Cap Brake Parking	113	532 12 72-85	Strap Torque LT
30	532 17 49-73	Bracket Mtg Transaxle	116	872 14 06-08	Bolt Rdhd Sq Neck 3/8-16 x 1
32	874 76 05-12	Bolt Hex Hd 5/16-18 unc x 3/4	120	873 90 06-00	Nut Lock Flg. 3/8-16 unc
34	532 17 55-78	Shaft Asm Pedal Foot	150	532 17 54-56	Spacer Retainer
35	532 12 01-83	Bearing Nylon Blk 629 Id	151	819 13 32-10	Washer 13/32 x 2 x 10
36	819 21 16-16	Washer 21/32 x 1 x 16 Ga.	156	532 16 60-02	Washer Srrted 5/16ID x 1.125
37	532 12 49-63	Pin Roll 3/16 x 1"	158	532 16 55-89	Bracket Shift Mount
38	532 17 91-14	Pulley Composite Flat	159	532 18 39-00	Hub Tapered Flange Shift Lt
39	872 11 06-22	Bolt RDHD 3/8-16 unc x 2-3/4 Gr. 5	161	872 14 04-06	Bolt Rdhd Sqnk 1/4-20 x 3/4
41	532 17 55-56	Keeper Belt Flat Idler	162	873 68 04-00	Nut Crownlock 1/4-20 unc
47	532 12 77-83	Pulley Idler V Groove Plastic	163	874 78 04-16	Bolt Hex Fin 1/4-20 unc x 1 Gr. 5
48	532 15 44-07	Bellcrank Asm	165	532 16 56-23	Bracket Pivot Lever
49	532 12 32-05	Retainer Belt Style Spring	166	817 49 05-10	Screw 5/16-18 x 5/8
50	872 11 06-12	Bolt Carr. Sh. 3/8-16 x 1-1/2 Gr. 5	168	532 16 54-92	Bolt Shoulder 5/16-18 x .561
51	873 68 06-00	Nut Crownlock 3/8-16 unc	169	532 16 55-80	Plate Fastening
52	873 68 05-00	Nut Crownlock 5/16-18 unc	170	532 18 74-14	Keeper Belt Transaxle Gear
53	532 19 96-52	Link Clutch	197	532 16 96-13	Nyliner Snap-In
55	532 10 57-09	Spring Return Clutch 6 75	198	532 16 95-93	Washer Nyliner
56	817 06 06-20	Screw 3/8-16 x 1-1/4	202	872 11 06-14	Bolt RdHd 3/8-16 unc x 1-3/4 Gr. 5
57	532 16 08-55	V-Belt Ground Drive 95 30	212	532 14 52-12	Nut Hexflange Lock
59	532 16 96-91	Keeper Belt Span Ctr			
61	817 12 06-14	Screw 3/8-16 x .875			

**NOTE:** All component dimensions given in U.S. inches  
1 inch = 25.4 mm

# REPAIR PARTS

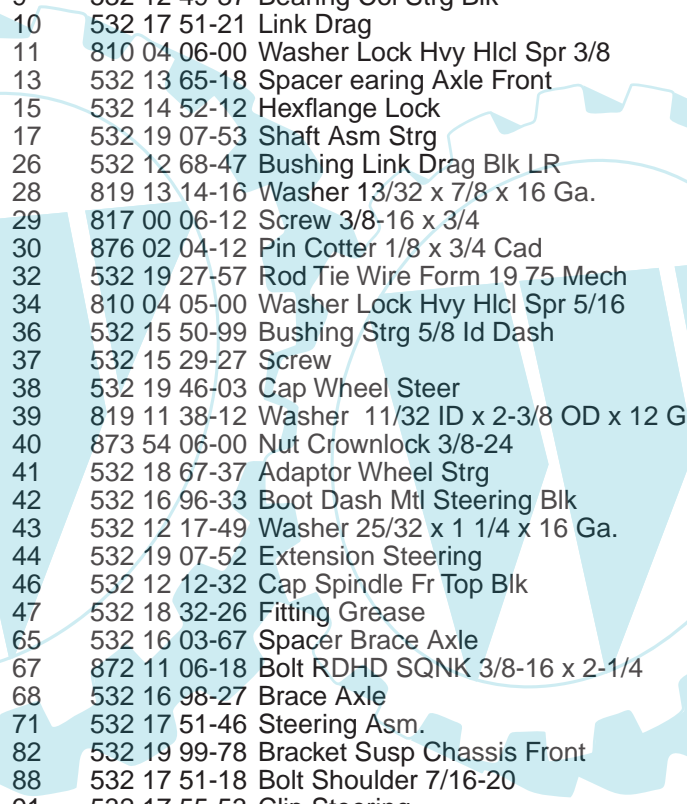
TRACTOR -- MODEL NUMBER PP1638 (96011021500). PRODUCT NO. 960 11 02-15  
STEERING



steering\_pl.lt\_58

## REPAIR PARTS

TRACTOR - - MODEL NUMBER PP1638 (96011021500). PRODUCT NO. 960 11 02-15  
STEERING

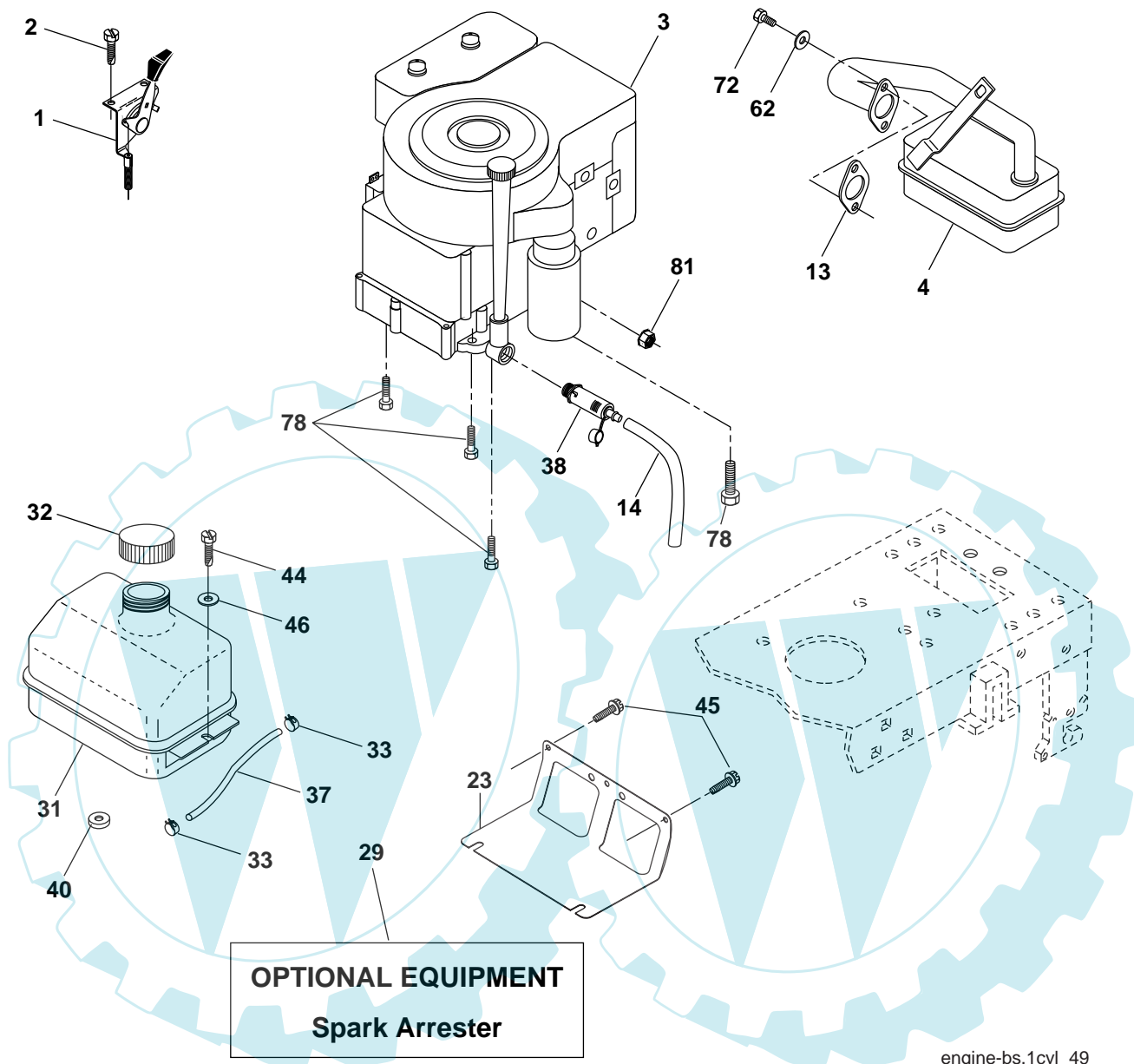


KEY NO.	PART NO.	DESCRIPTION
1	532 19 45-95	Wheel Steering
2	532 17 51-31	Axle Asm
3	532 16 98-40	Spindle Asm LH
4	532 16 98-39	Spindle Asm RH
5	532 12 49-31	Bearing Race Thrust Harden
6	532 12 17-48	Washer 25/32 x 1-5/8 x 16 Ga.
7	819 27 20-16	Washer 27/32 x 1-1/4 x 16 Ga.
8	812 00 00-29	Ring Klip #t5304-75
9	532 12 49-37	Bearing Col Strg Blk
10	532 17 51-21	Link Drag
11	810 04 06-00	Washer Lock Hvy Hlcl Spr 3/8
13	532 13 65-18	Spacer earing Axle Front
15	532 14 52-12	Hexflange Lock
17	532 19 07-53	Shaft Asm Strg
26	532 12 68-47	Bushing Link Drag Blk LR
28	819 13 14-16	Washer 13/32 x 7/8 x 16 Ga.
29	817 00 06-12	Screw 3/8-16 x 3/4
30	876 02 04-12	Pin Cotter 1/8 x 3/4 Cad
32	532 19 27-57	Rod Tie Wire Form 19 75 Mech
34	810 04 05-00	Washer Lock Hvy Hlcl Spr 5/16
36	532 15 50-99	Bushing Strg 5/8 Id Dash
37	532 15 29-27	Screw
38	532 19 46-03	Cap Wheel Steer
39	819 11 38-12	Washer 11/32 ID x 2-3/8 OD x 12 Ga.
40	873 54 06-00	Nut Crownlock 3/8-24
41	532 18 67-37	Adaptor Wheel Strg
42	532 16 96-33	Boot Dash Mtl Steering Blk
43	532 12 17-49	Washer 25/32 x 1 1/4 x 16 Ga.
44	532 19 07-52	Extension Steering
46	532 12 12-32	Cap Spindle Fr Top Blk
47	532 18 32-26	Fitting Grease
65	532 16 03-67	Spacer Brace Axle
67	872 11 06-18	Bolt RDHD SQNK 3/8-16 x 2-1/4
68	532 16 98-27	Brace Axle
71	532 17 51-46	Steering Asm.
82	532 19 99-78	Bracket Susp Chassis Front
88	532 17 51-18	Bolt Shoulder 7/16-20
91	532 17 55-53	Clip Steering
95	532 18 89-67	Washer Harden .793 x 1.637 x 060
97	874 78 05-64	Bolt 5/16-18 unc x 4"L Hlcl Spr. 5/16

**NOTE:** All component dimensions given in U.S. inches  
1 inch = 25.4 mm.

# REPAIR PARTS

TRACTOR -- MODEL NUMBER PP1638 (96011021500). PRODUCT NO. 960 11 02-15  
ENGINE



engine-bs.1cyl\_49

KEY NO.	PART NO.	DESCRIPTION
1	532 17 05-51	Control Th/ch Flag
2	817 72 04-08	Screw Hex Thd Cut 1/4-20 x 1/2
3	-----	Engine, B&S 283H07 (Order parts from engine manufacturer)
4	532 13 73-52	Muffler Exhaust B&S
13	532 16 52-91	Gasket Eng 1 313 Id Tin Plated
14	532 14 84-56	Tube Drain Oil Easy
23	532 16 98-37	Shield BRN/DBR Guard
29	532 13 71-80	Kit Spark Arrestor (Flat Scrn)
31	532 18 77-50	Tank Fuel Front
32	532 19 77-25	Cap Asm Fuel
33	532 12 34-87	Clamp Hose
37	532 40 11-37	Line Fuel 20"
38	532 18 16-54	Plug Drain Oil
40	532 12 40-28	Bushing Snap Nyl Blk Fuel Line
44	817 67 04-12	Screw Thdrol 1/4-20 x 3/4

KEY NO.	PART NO.	DESCRIPTION
45	817 00 06-12	Screw Hex Wsh Thdrol 3/8-16
46	819 09 14-16	Washer 9/32 x 7/8 x 16 Ga.
62	810 01 05-00	Washer Split
72	532 19 23-34	Screw Socket Hd 5/16-18 x .75
78	817 06 06-20	Screw 3/8-16 x 1-1/4
81	873 51 04-00	Nut Keps Hex 1/4-20 unc

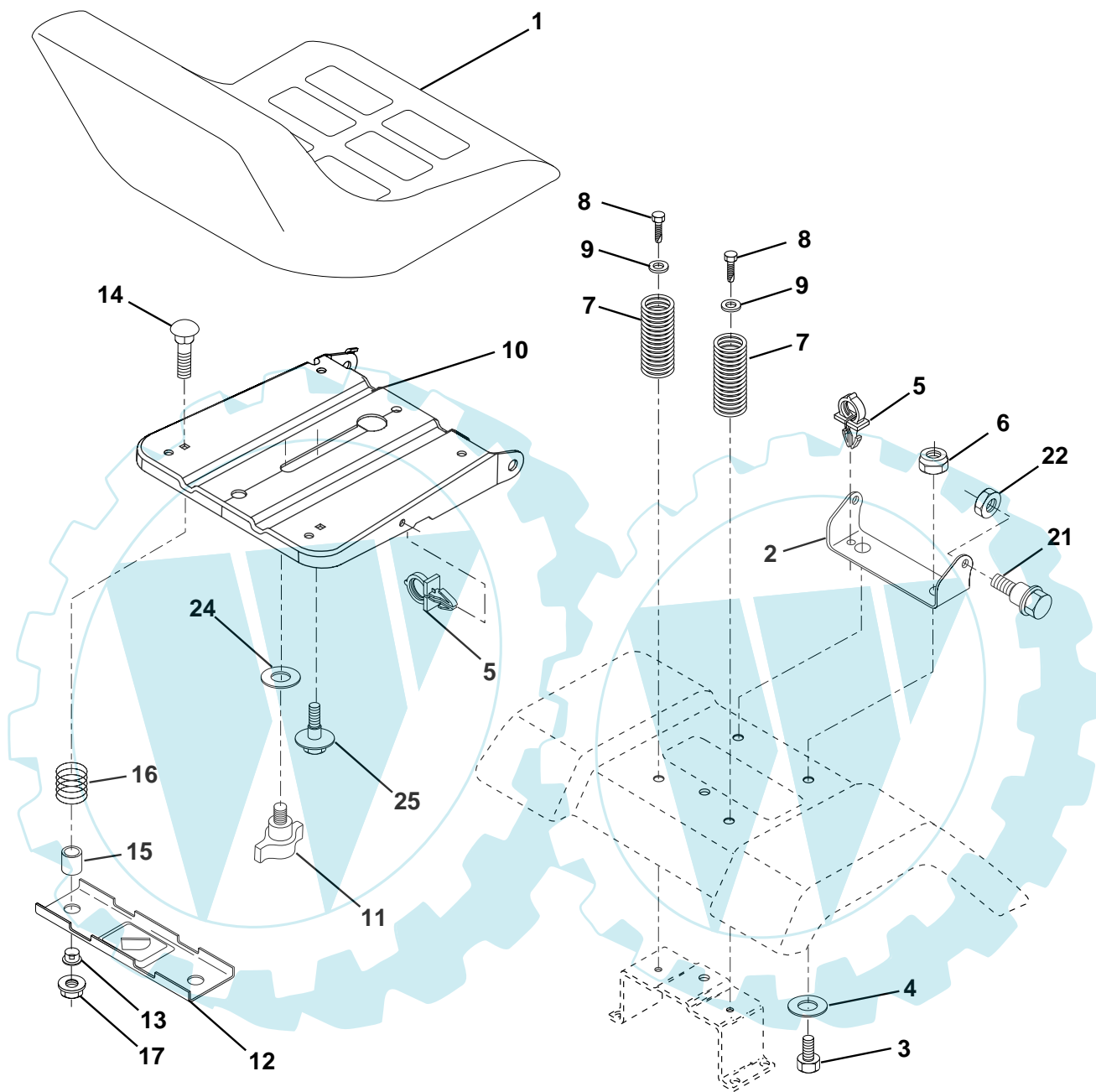
**NOTE:** All component dimensions given in U.S. inches  
1 inch = 25.4 mm

For engine service and replacement parts, call the toll free number for your engine manufacturer listed below:

- Briggs & Stratton 1-800-233-3723
- Kohler Co. 1-800-544-2444
- Tecumseh Products 1-800-558-5402
- Honda Engines 1-800-426-7701
- Kawasaki 1-949-460-5688

# REPAIR PARTS

TRACTOR - - MODEL NUMBER PP1638 (96011021500). PRODUCT NO. 960 11 02-15  
SEAT



seat\_lt.knob\_13

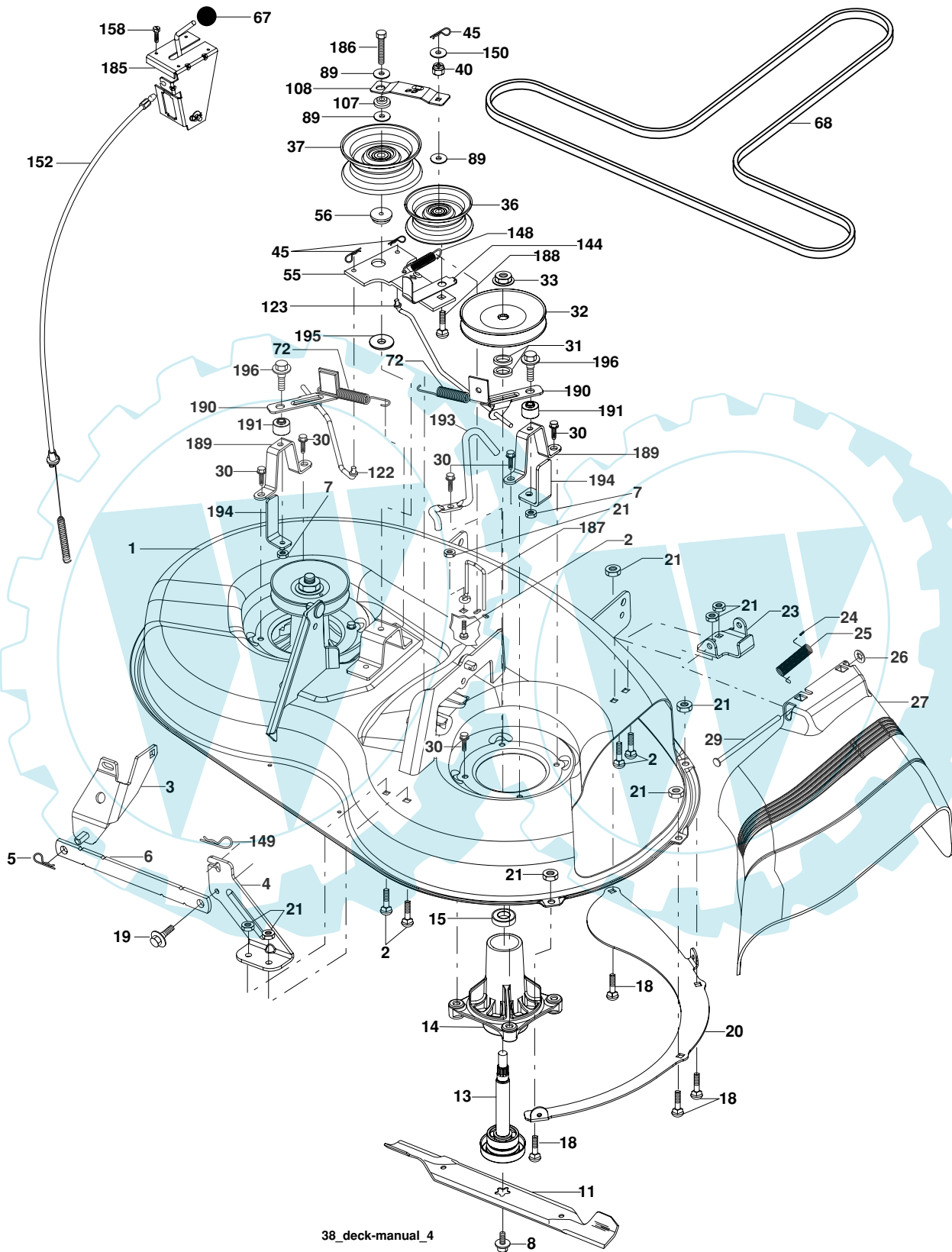
KEY NO.	PART NO.	DESCRIPTION
1	532 18 87-12	Seat
2	532 14 05-51	Bracket Seat Pivot
3	871 11 06-16	Bolt Hex 3/8 - 16 x 1
4	819 13 16-10	Washer 13/32 x 1 x10 Ga.
5	532 14 50-06	Clip Push-In Hinged
6	873 80 06-00	Nut Lock Hex w/Ins 3/8 - 16
7	532 12 41-81	Spring Seat Cprsn 2 250 Blk Zi
8	817 00 06-16	Screw 3/8-16 x 1.5
9	819 13 16-14	Washer 13/32 x 1 x 14 Ga.
10	532 19 55-30	Pan Asm. Seat
11	532 16 63-69	Knob Seat
12	532 17 46-48	Bracket Pnt Mounting Switch

KEY NO.	PART NO.	DESCRIPTION
13	532 12 12-48	Bushing Snap Blk Nyl
14	872 05 04-12	Bolt Rdhd Sht Nk 1/4 - 20 x 1 -1/2
15	532 13 43-00	Spacer Split .28 x .96
16	532 12 12-50	Spring Cprsn
17	532 12 39-76	Nut Lock 1/4 Lge Flg
21	532 17 18-52	Bolt Shoulder 5/16-18 unc-2A
22	873 80 05-00	Nut Lock Hex w/Ins 5/16 - 18
24	819 17 19-12	Washer 17/32 x 1-3/16 x 12 Ga.
25	532 12 70-18	Bolt Shoulder 5/16-18 x .62
26	810 04 08-00	Washer Lock Hvy Hlcl Spr 1/2

**NOTE:** All component dimensions given in U.S. inches  
1 inch = 25.4 mm.

# REPAIR PARTS

TRACTOR -- MODEL NUMBER PP1638 (96011021500). PRODUCT NO. 960 11 02-15  
MOWER DECK



38\_deck-manual\_4

# REPAIR PARTS

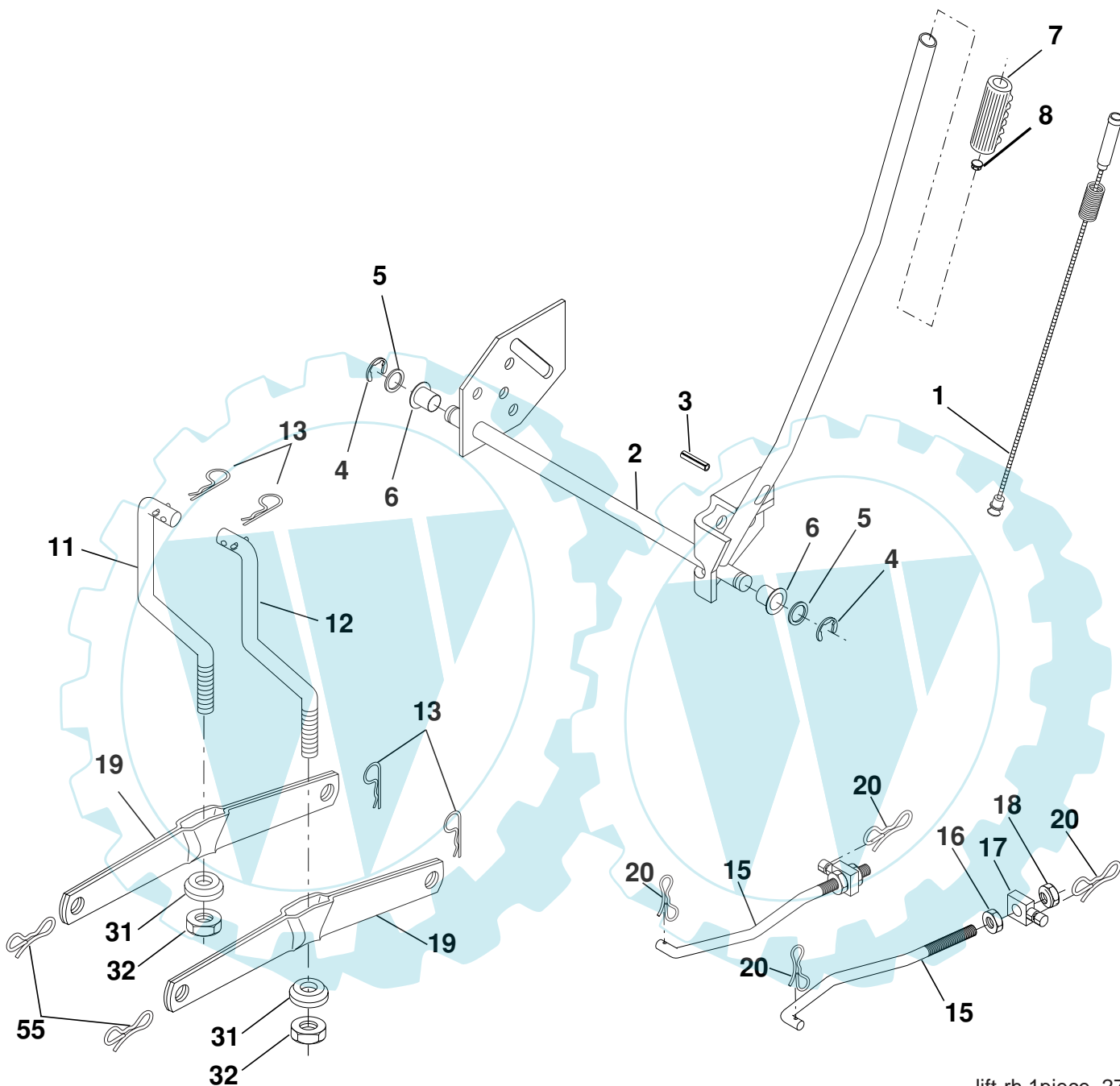
**TRACTOR - - MODEL NUMBER PP1638 (96011021500). PRODUCT NO. 960 11 02-15  
MOWER DECK**

KEY NO.	PART NO.	DESCRIPTION	KEY NO.	PART NO.	DESCRIPTION
1	532 19 25-56	Mower Housing Assembly	89	819 13 13-11	Washer 13/32 x 13/16 x 11 Ga.
2	532 14 05-06	Bolt Carriage 5/16-18 x 3/4	107	532 13 35-02	Spacer Retainer
3	532 13 80-17	Bracket Asm Fr. Sway Bar	108	532 13 35-03	Stiffener, Idler Arm
4	532 19 25-68	Bracket Deck Sway Bar 38"/42"	122	532 19 25-75	Rod, Brake LH
5	532 12 46-70	Retainer Spring	123	532 19 25-76	Rod, Brake RH
6	532 17 80-24	Bar Sway Deck	144	532 19 34-14	Keeper Belt Idler Tension
8	532 19 30-03	Bolt 3/8-24 x 1.25 Gr. 8	148	532 16 90-22	Spring Return Idler
7	873 80 05-00	Nut Lock Hx W/INS 5/16-18 UNC	149	532 16 58-98	Retainer Spring Yellow
11	532 19 39-57	Blade Mower	150	819 09 12-10	Washer 9/32 x 3/4 x 10 Ga.
13	532 19 28-72	Shaft Assembly, Mandrel, Vented	152	532 19 32-35	Clutch Cable 38"/46"
14	532 18 72-81	Housing, Mandrel, Vented	158	817 72 04-08	Screw Hex Thd Cut 1/4-20 x 1/2
15	532 11 04-85	Bearing, Ball, Mandrel	185	532 18 82-34	Head Asm Cable Clutch
18	872 14 05-05	Bolt Rdhd Sqnk 5/16-18 x 5/8	186	817 49 06-44	Screw Hex Wsh Thdrol 3/8-16 x 2-3/4
19	532 13 28-27	Bolt, Shoulder	187	532 19 34-12	Keeper Belt
20	532 40 00-95	Baffle Vortex Front	188	532 16 58-91	Bolt Carriage Idler
21	873 68 05-00	Nut	189	532 19 25-59	Stand, Brake
23	532 19 25-57	Bracket, Mower Deflector	190	532 19 25-60	Arm, Brake
24	532 10 53-04	Cap, Sleeve	191	532 19 25-61	Spacer, Brake
25	532 19 70-26	Spring, Torsion, Deflector	192	532 19 37-82	Bolt/Washer Asm 5/16-18
26	532 11 04 52	Nut, Push	193	532 19 34-13	Keeper Belt Rh Mandrel
27	532 40 14-72	Shield, Deflector	194	532 19 41-05	Guard Brake
29	532 13 14-91	Rod, Hinge	195	819 13 32-10	Washer
30	532 17 39-84	Screw Thdrol.	196	532 19 37-82	Screw Bolt/Washer Asm 5/16-18
31	532 18 76-90	Washer, Spacer	--	532 19 25-58	Brake Assembly (Includes Stand, Arm and Guard Components)
32	532 17 34-35	Pulley, Mandrel	--	532 19 28-70	Mandrel Assembly (Includes Hous- ing, Shaft and Shaft Hardware Only - Pulley Not Included)
33	532 40 02-34	Nut, Toplock	--	532 40 04-28	Replacement Mower, Complete
36	532 17 34-38	Pulley, Idler, Flat			
37	532 17 58-20	Pulley Idler Flat			
40	873 68 06-00	Nut, Crownlock 3/8-16 unc			
45	532 12 47-88	Retainer			
55	532 13 38-40	Idler Arm Assembly			
56	532 16 57-23	Spacer, Retainer			
67	532 17 15-98	Knob			
68	532 19 32-14	V-Belt			
72	532 19 32-16	Spring Brake Return			

**NOTE:** All component dimensions given in U.S. inches  
1 inch = 25.4 mm

# REPAIR PARTS

TRACTOR - - MODEL NUMBER PP1638 (96011021500). PRODUCT NO. 960 11 02-15  
MOWER LIFT



lift-rh.1piece\_27

KEY NO.	PART NO.	DESCRIPTION
1	532 19 84-17	Wire Asm Inner/Sprg w/plunger
2	532 19 80-70	Shaft Asm Lift RH
3	532 18 88-22	Pin Groove
4	812 00 00-02	E Ring #5133-62
5	819 21 16-21	Washer 21/32 x 1 x 21 Ga.
6	532 12 01-83	Bearing Nylon Blk 629 Id
7	532 10 94-13	Grip Handle Bicycle Matte Blk
8	532 12 43-85	Button Plunger Black
11	532 13 98-65	Link Lift LH Fixed Length
12	532 13 98-66	Link Lift RH Fixed Length
13	532 12 46-70	Retainer Spring

KEY NO.	PART NO.	DESCRIPTION
15	532 17 32-88	Link Front
16	873 35 08-00	Nut Jam Hex 1/2-13 unc
17	532 17 56-89	Trunnion
18	873 80 08-00	Nut Lockw/Wsh 1/2-13 unc
19	532 13 98-68	Arm Suspension Rear
20	532 19 42-09	Pin Cotter 7/16 Bow Tie Lock
31	532 16 98-65	Bearing Pvt Lift
32	873 54 06-00	Nut Crownlock 3/8-24
55	532 19 42-08	Pin Cotter 5/16 Bow Tie Lock

**NOTE:** All component dimensions given in U.S. inches  
1 inch = 25.4 mm.